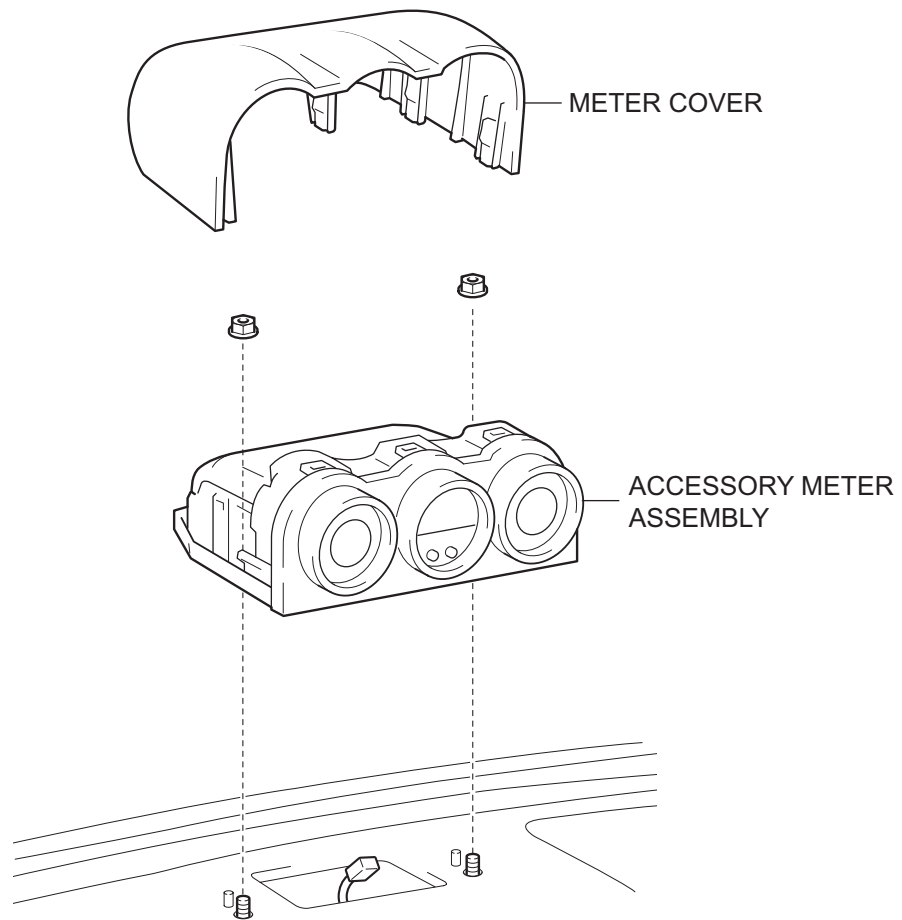


ACCESSORY METER

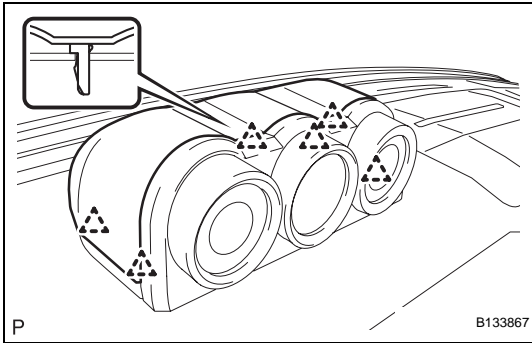
COMPONENTS



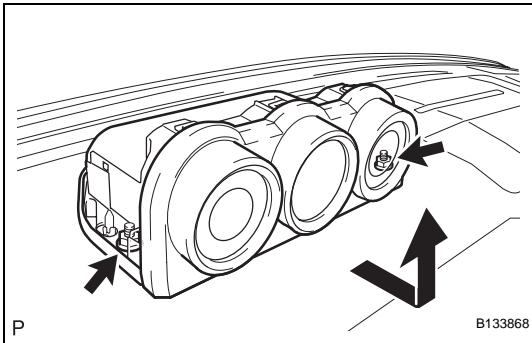
ME

REMOVAL

1. **DISCONNECT CABLE FROM NEGATIVE BATTERY TERMINAL**
2. **REMOVE METER COVER**
 - (a) Disengage the 6 clips and remove the meter cover.

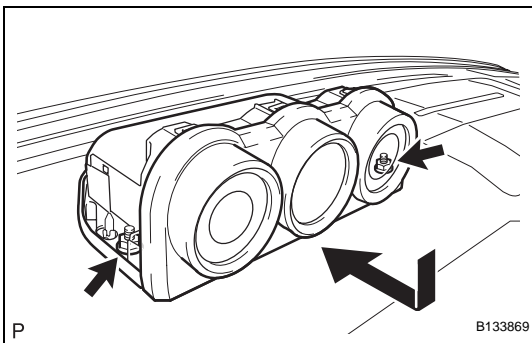


3. **REMOVE ACCESSORY METER ASSEMBLY**
 - (a) Remove the 2 nuts and remove the accessory meter.
 - (b) Disconnect the connector.



INSTALLATION

1. **INSTALL ACCESSORY METER ASSEMBLY**
 - (a) Connect the connector.
 - (b) Install the accessory meter with the 2 nuts.



2. **INSTALL METER COVER**
 - (a) Engage the 6 clips and install the meter cover.
3. **CONNECT CABLE TO NEGATIVE BATTERY TERMINAL**
Torque: 3.9 N*m (40 kgf*cm, 35 in.*lbf)

